

THIS DRAWING IS UNPUBLISHED.

RELEASED FOR PUBLICATION

2009

© COPYRIGHT 2009

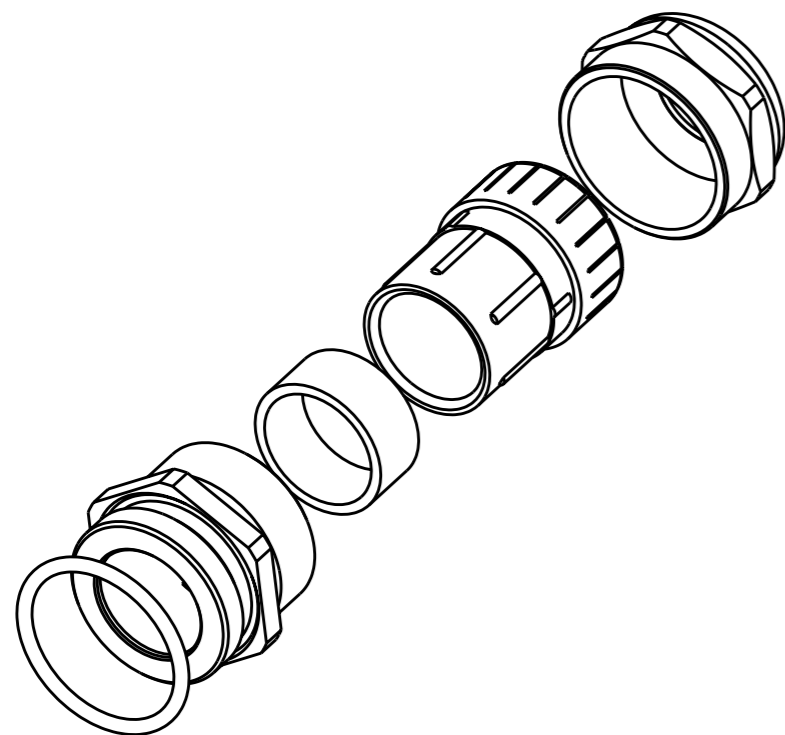
BY TYCO ELECTRONICS CORPORATION. ALL INTERNATIONAL RIGHTS RESERVED.

LOC  
A1

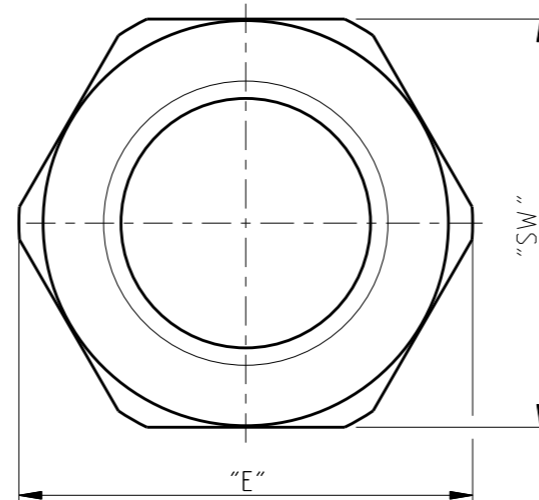
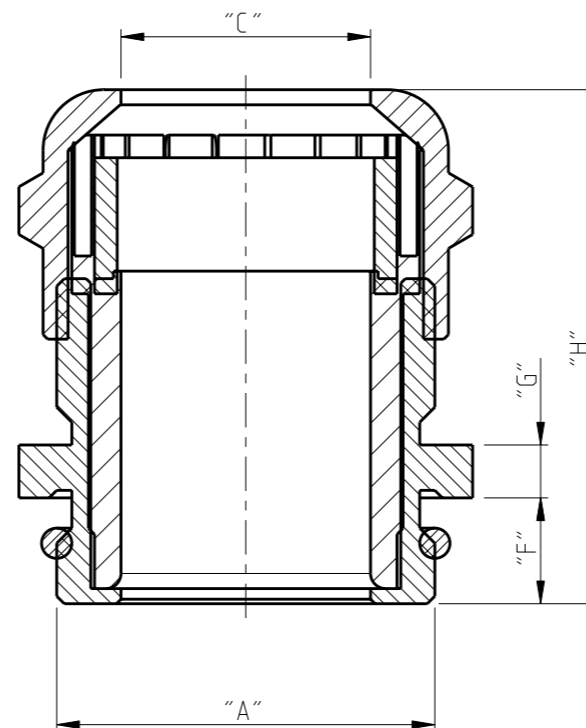
DIST  
-

REVISIONS

| P | LTR | DESCRIPTION   | DATE      | DWN | APVD |
|---|-----|---------------|-----------|-----|------|
|   | A2  | ECR-08-019210 | 19OCT2009 | AR  | ST   |



SCALE 1:1



|      |         |       |     |   |     |        |    |
|------|---------|-------|-----|---|-----|--------|----|
| M50  | M50x1.5 | Ø35.3 | Ø60 | 9 | 4.5 | 47.5   | 55 |
| M40  | M40x1.5 | Ø27.3 | Ø46 | 8 | 4.5 | 41     | 43 |
| M32  | M32x1.5 | Ø21.3 | Ø36 | 8 | 4.5 | 38     | 34 |
| M25  | M25x1.5 | Ø16.3 | Ø30 | 7 | 3.5 | 36.5   | 27 |
| M20  | M20x1.5 | Ø13.3 | Ø24 | 6 | 3.5 | 33     | 22 |
| M16  | M16x1.5 | Ø9.1  | Ø19 | 5 | 3   | 29     | 17 |
| SIZE | A       | C     | E   | F | G   | H max. | SW |

DIMENSIONS

THIS DRAWING IS A CONTROLLED DOCUMENT FOR TYCO ELECTRONICS CORPORATION IT IS SUBJECT TO CHANGE AND THE CONTROLLING ENGINEERING ORGANIZATION SHOULD BE CONTACTED FOR THE LATEST REVISION.

DWN Schneider 20.02.2002

CHK Braun 20.02.2002

APVD -

PRODUCT SPEC -

APPLICATION SPEC -

WEIGHT -

CUSTOMER DRAWING

Tyco Electronics Tyco Electronics.AMP.GmbH  
D-53757 Sankt Augustin, Germany

NAME  
CABLE GLAND ASSY  
SERIES EMV, METRIC

SIZE A3 CAGE CODE 00779 DRAWING NO C=1102772 RESTRICTED TO -

SCALE 2:1 SHEET 1 OF 1 REV A2

| DIMENSIONS: | TOLERANCES UNLESS OTHERWISE SPECIFIED: |
|-------------|--|
| mm          |  |
|             | 0 PLC ± n.ISO 8015                     |
|             | 1 PLC ± n.ISO 2768-mH-E                |
|             | 2 PLC ± n.DIN 16901-T20                |
|             | 3 PLC ±                                |
|             | 4 PLC ±                                |
|             | ANGLES ±                               |
| MATERIAL -  | FINISH -                               |